

FlowLine



Limit Switch
Compact and Economical

Series 53

FEATURES

Introduction

Flow Line has two series of Nema 4, 4X limit switches. The Series 53 limit switch is compact, economical and provides valve Open and Close indication with a highly visible 3-D indicator and electrical feedback switches. The Series 52 described in the "Series 52 Limit Switch" technical bulletin services heavy duty applications. The Series 53 limit switch features Namur mount, two 1/2" conduit entries, adjustable 3-D visual indicators and independently adjustable open and close switches.



Aluminum Housing: The rugged cast aluminum housing is polyester coated inside and outside for use in hostile environments. The cover and visual indicator screws are stainless steel to provide an additional margin of corrosion resistance. The cover screws are captive and also have flat washers to prevent damage to the polyester coating. They have Phillips slots and hex heads to facilitate installation and removal. The housing has two 1/2" conduit entries, one for field wiring and the other for connection to optional solenoid valves.

Visual Position Indication: The 3-D Indicator is highly visible with red & yellow valve closed and open confirmation. It can easily be adjusted by loosening the retaining screws and rotating the plastic dome.

Push to Set Switch Cams: The cams are splined, spring loaded and independently adjustable without the use of tools. They are also color coded for no-guess adjustments, red - close and green - open.

Terminations: The terminal strip has "tunnel" wire entries to reduce the possibility of stray wires from shorting against one another. The strip is angled upward for easier field wiring. Extra terminals are provided for solenoid valve terminations.

Specifications

Housing: Die Cast aluminum, polyester powder coated

Hardware: Stainless steel

Shaft: Stainless steel, Namur dimensions

Wire Entries: Two 1/2" threaded female conduit
Switches:

Visual Indicator: Polycarbonate

Terminal Strip: 8-points

Temperature: -30°F to 185°F (-20°C to 85°C)

Two Mechanical SPDT

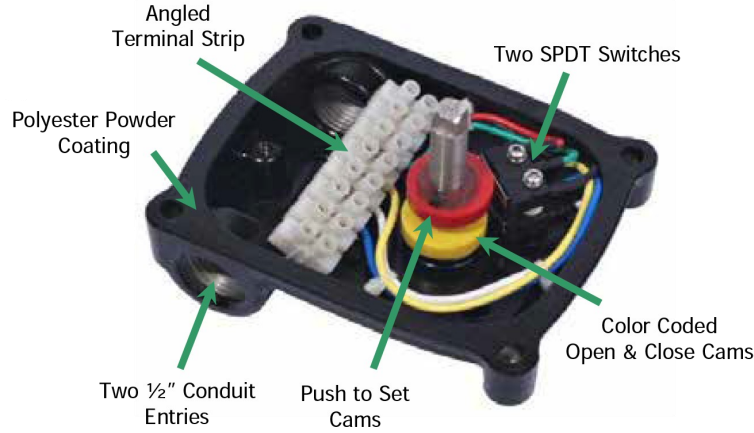
** Note: Consult factory for additional options.*

Flow Line Valve and Controls, Inc.

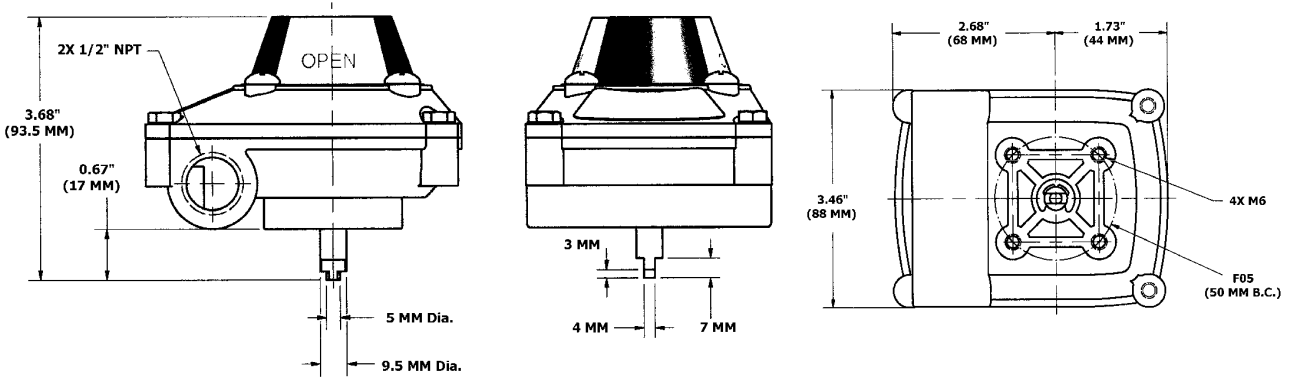
PO Box 677, 110 Main Project Rd • Schriever, LA 70395 • Phone (985) 414-6004 • Fax (985) 414-6072

www.flowlinevalves.com

ENGINEERING



DIMENSIONS



How to Order

Switch Part #	Series	Enclosure	Shaft	Indicator Colors	Switches	Quantity	Conduit	Indicator
53-1000-12DA22F	53	Polyester coated aluminum	Namur	Red & Yellow, 90 Degree	Mechanical SPDT	Two	Two 1/2" NPT	3-D
53-1000-12DB22A		Nema 4, 4X, IP67			Gold Plated SPDT			

SWITCH NOTES **Mechanical switches:** 5A 125-220VAC **Gold Plated switches:** 0.1A 125VAC (ideal for Intrinsic Safe applications)

Mounting Bracket Part #	Description	Actuation Namur Mount	Actuator Shaft Height
53-1000-208020P	Namur bracket "Hat Shaped"	30MM X 80MM	20MM
53-1000-208030P	Polyester coated steel		30MM

* Note: Consult factory for additional options.

Flow Line Valve and Controls, Inc.

PO Box 677, 110 Main Project Rd • Schriever, LA 70395 • Phone (985) 414-6004 • Fax (985) 414-6072

www.flowlinevalves.com