

Flow Line



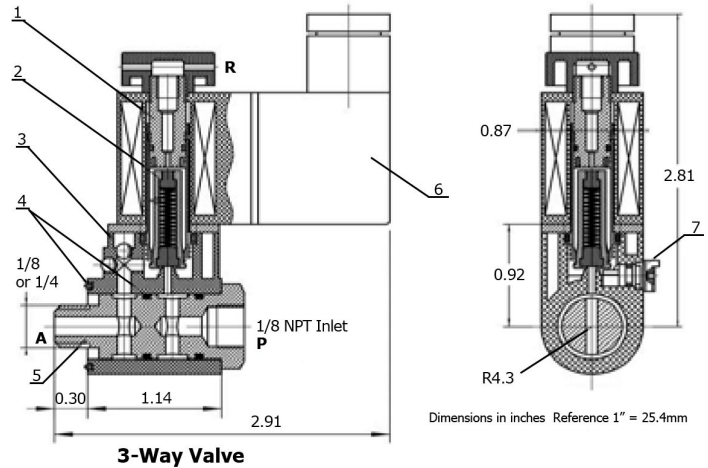
**1/4" Solenoid Valve
Namur Mount**

Series 51

FEATURES

Specifications

Valve Design: 3-way 2-pos Direct acting normally closed
Mounting: NPT (A) threaded into actuator inlet port
Supply (P): 1/8" or 1/4" female NPT
Outlet (A): 1/8" or 1/4" male NPT
Exhaust (R): Drilled port
Flow Rate Cv: 0.15
Operating Pressure Range: 22 psi to 120 psi
Media: Lubricated or non-lubricated air
Manual Override: Standard
Coil Voltages: 110VAC, 220VAC, 24VDC
Protection Class: Nema 4, 4X
Ambient Temperature Range: 40F~122F
Coil Connections: Cable Gland



Recommended Accessories

The series 51 Miniature Solenoid valve installs in one of the two threaded actuator air inlets leaving the other inlet exposed to the environment. Flow Line recommends installing a breather or muffler to protect against debris entering the exposed actuator port or a combination speed control/muffler for the additional benefit of controlling actuator speed. Refer to the Flow Line Pneumatic Components document for complete product specifications.



How to Order

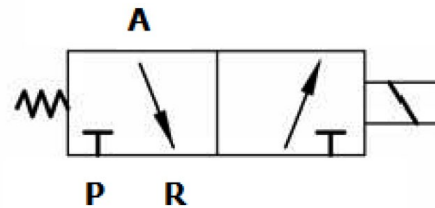
Part Number	Voltage	Supply Port-P	Outlet Port-A
51-3001-45P59A	110 VAC	1/8" Female NPT	1/8" Male NPT
51-3001-46P59A		1/4" Female NPT	1/4" Male NPT
51-3001-47P59A		1/4" Female NPT	1/8" Male NPT
51-3001-48P59A		1/8" Female NPT	1/4" Male NPT
51-3001-45P69A	220 VAC	1/8" Female NPT	1/8" Male NPT
51-3001-46P69A		1/4" Female NPT	1/4" Male NPT
51-3001-47P69A		1/4" Female NPT	1/8" Male NPT
51-3001-48P69A		1/8" Female NPT	1/4" Male NPT
51-3001-45P29A	24 VDC	1/8" Female NPT	1/8" Male NPT
51-3001-46P29A		1/4" Female NPT	1/4" Male NPT
51-3001-47P29A		1/4" Female NPT	1/8" Male NPT
51-3001-48P29A		1/8" Female NPT	1/4" Male NPT

* Note: Consult factory for additional options.

Components

Key	Description
1	Solenoid core
2	Solenoid armature
3	Body, glass filled nylon
4	Three o-rings, NBR
5	Outlet (A) 1
6	Solenoid Coil
7	Manual override, nylon

Flow Diagram



Flow Line Valve and Controls, Inc.

PO Box 677, 110 Main Project Rd • Schriever, LA 70395 • Phone (985) 414-6004 • Fax (985) 414-6072
www.flowlinevalves.com