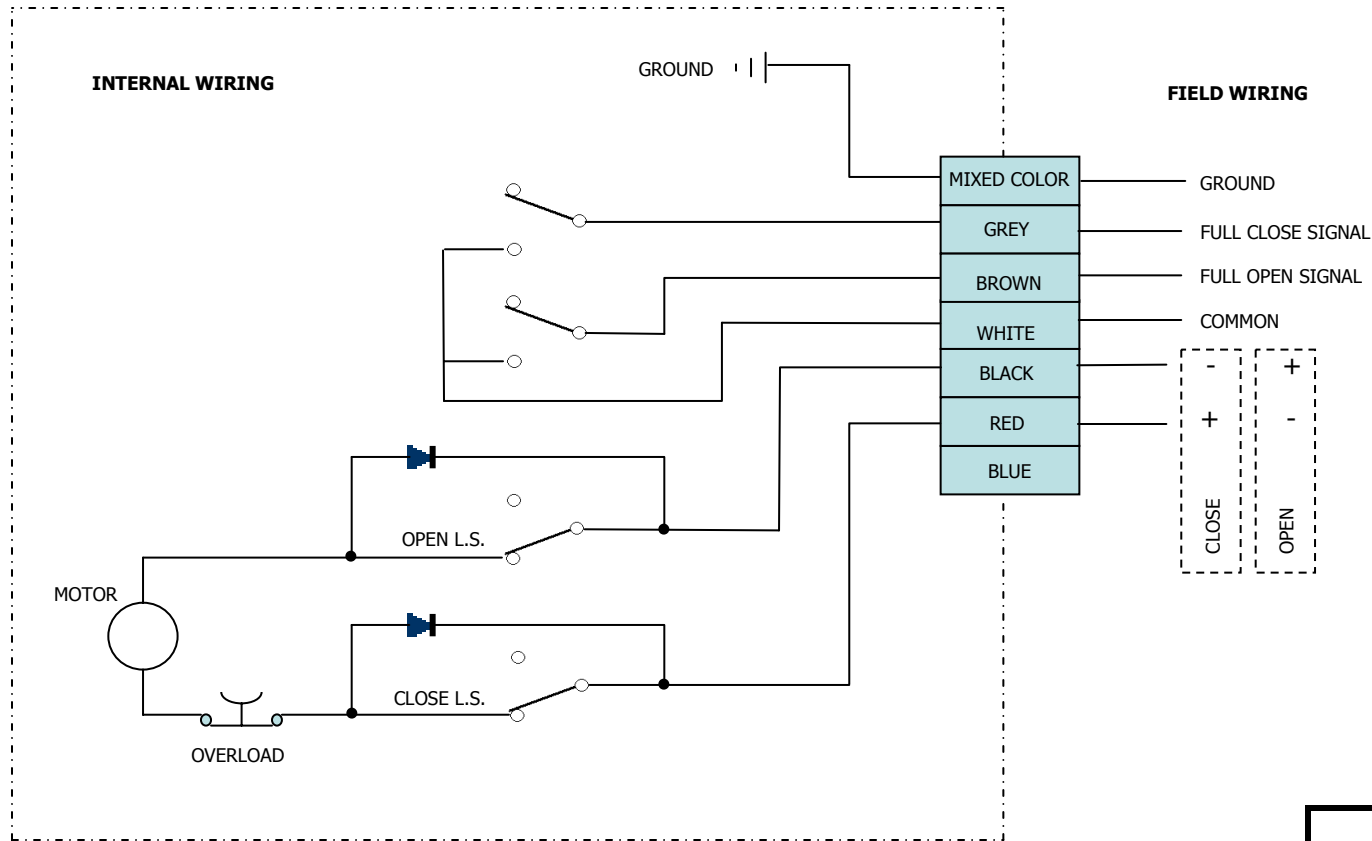


FlowLine

WIRING DIAGRAM
24 VAC, 110 VAC, 220 VAC
Series 31 Electric Actuator

Wiring notes:

1. To close the valve (CW rotation) apply + to RED terminal and - to BLACK terminal.
2. To open the valve (CCW rotation) apply + to BLACK terminal and - to RED terminal.
3. MIXED COLOR terminal is for ground connection.
4. GREY, BROWN and WHITE terminals are connection for remote open-close indication. These terminals are optional and not on the standard unit, consult factory for option.



FlowLine

WIRING DIAGRAM
24 VDC
Series 31 Electric Actuator