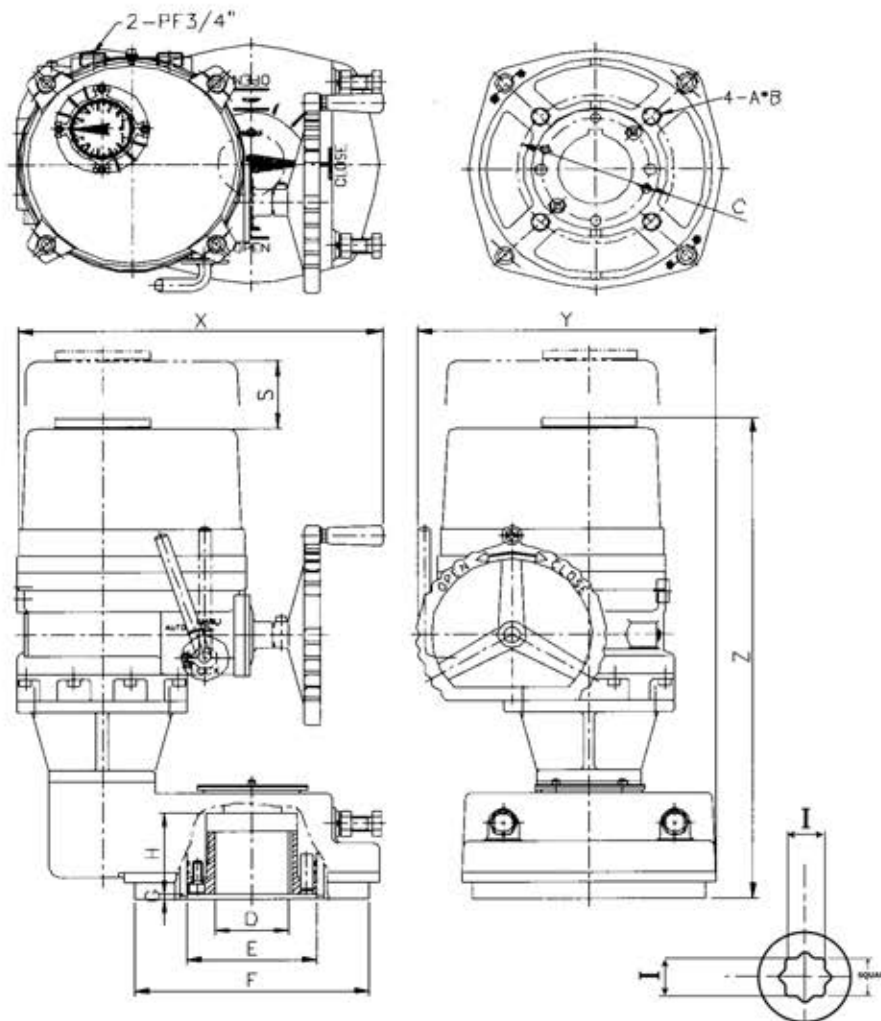


Model 0700 to 2600

Actuator Size	A	B	C	D (KEY)	D (SQ.)	E	F	G	H	S	X	Y	Z	ISO Mounting	I
0700	M12/M14	20/25	4.92	2.05	1.57	3.74	7.01	.12	2.64	6.69	14.96	11.18	12.32	F12/F14	*See Data Sheet - Doc. No. FLC006 Series 30 ISO Drive Bushing Options
0900	M12/M14	20/25	4.92	2.05	1.57	3.74	7.01	.12	2.64	6.69	14.96	11.18	12.32	F12/F14	
1300	M20	32	6.50	3.07	2.52	5.31	9.65	.20	3.54	5.71	14.06	11.54	19.92	F16	
1700	M20	32	6.50	3.07	2.52	5.31	9.65	.20	3.54	5.71	14.06	11.54	19.92	F16	
2600	M20	32	6.50	3.07	2.52	5.31	9.65	.20	3.54	5.71	14.06	11.54	19.92	F16	



ACTUATOR SIZE	DIMENSIONAL DATE SHEET ELECTRIC ACTUATOR SERIES 30 SIZES 0700 - 2600	PART NO.	
VOLTAGE RATING		DRAWING NO.	REV
CUSTOMER/PROJECT		30-0022	B
INQ./PO NO.		DATE	
ORDER NO.		02/19/2013	
CERTIFIED BY DATE			

Flow Line Valve and Controls, Inc.

PO Box 677, 110 Main Project Rd • Schriever, LA 70395 • Phone (985) 414-6004 • Fax (985) 414-6072
 www.flowlinevalves.com